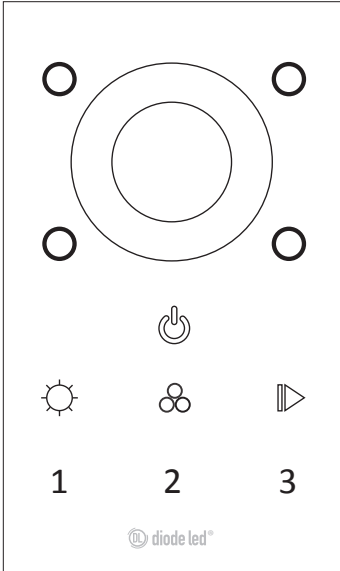




DMX WALL MOUNT CONTROLLER



SPECIFICATION SHEET

OVERVIEW

The DMX Wall Mount Controller provides professional-level control for color-changing RGB and RGBW LED lighting in one or multiple independent areas.

FEATURES & BENEFITS

- IOS & Android compatible
- Glass Touch Surface
- DMX512 Output
- 3 Zones
- Fits in standard North American size junction box
- 3-Year warranty

APPROVED LED LUMINAIRES

The DMX Wall Mount Controller is compatible with the direct connection to the following Diode LED DMX Wall Washers or other luminaires controlled by a DMX512 signal:

**BROADWAVE®
LINAIRE®**

SPHERE-STAR™

SPLASHLIGHT®

The DMX Wall Mount Controller is compatible with the following 12VDC and 24VDC LED luminaires when installed with DMX Decoder (DI-1918):

DAZZLE 24® RGB

DAZZLE 24® RGBW

TRUE FOCUS™ RGB

Item #	
Project	

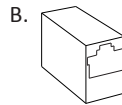
SPECIFICATIONS

ITEM # - DI-DMX-WIFI-WMUS-3Z-WH

- Input Voltage¹: 12-24VDC Constant Voltage
- Output Signal: DMX512 Signal
- Dynamic Modes: 10
- Zone Control: 3
- Power Failure Memory: Yes
- Wireless Control: WiFi controllable via IOS/EasyColor Pro, Android/EasyColor EasyLife
- Environment: Indoor/Dry location use only
- Ambient Temperature²: -4° ~ 104°F (-20° ~ 40°C)
- Operating Temperature³: -4° ~ 167°F (-20° ~ 75°C)

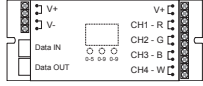
INCLUDED ACCESSORIES

- A. (1) RJ45 Splice Cable (DI-1805)
- B. (1) RJ45 Coupler (DI-1807)



The following accessories can be attached to the controller to allow connection to a standard CAT5 / Ethernet cable for DMX512 Data transmission.

ADDITIONAL ACCESSORIES

ITEM #	DESCRIPTION
DI-1918	<p>DMX 4-CHANNEL DECODER Converts DMX512 Signal to PWM Signal for control of standard 12VDC & 24VDC LED luminaires. Dimensions: 6.5 x 2.4 x 1.24 in. (L x W x H)</p> 

For a full list of DMX accessories, see www.DiodeLED.com or the latest Diode LED catalog.

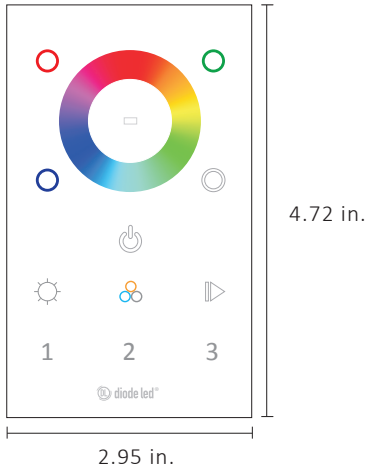
SYSTEM DIAGRAM

For a full system diagram see the DMX WALL MOUNT CONTROLLER Installation Guide.

1. Ensure to specify a compatible driver with the same voltage specifications.
2. Do not install product in an environment outside the listed ambient temperature. Exceeding the maximum ambient temperature may damage the controller and/or fixture.
3. Operating temperature is measured according to the minimum and maximum ambient temperature environment.

MECHANICAL DIAGRAM

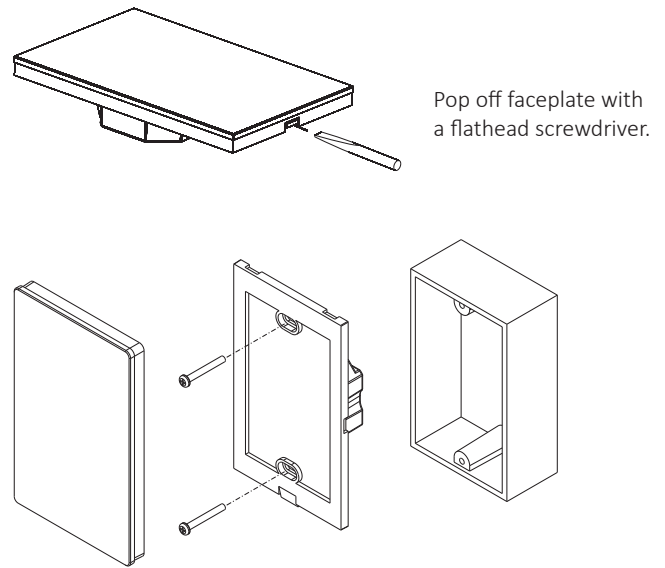
FRONT VIEW



SIDE VIEW



MOUNTING



Mount to a standard switchbox.

REMOTE OPERATION

Power Indicator

Red indicates unit is OFF.
Blue indicates unit is ON.
Blue flash indicates DATA is transmitting.

Color Wheel

Adjust RGB color mixing.

Power

Short press to turn ALL zones and channels ON/OFF.

RGB Brightness

Long press to adjust brightness of RGB colors simultaneously (7 steps of brightness). Adjust W (4CH) channel separately to adjust tone.

R, G, B, W Channel Adjustment

Short press to turn channel ON/OFF.
Long press to adjust brightness.

RGB 'White' Presets

Short press for 3 types of 'White' RGB presets: warm white, neutral white, cool white. Useful for applications that don't utilize W (CH4) for RGBW applications.

Dynamic Mode

Short press changes mode/pauses mode. Long press adjusts speed of dynamic mode. See 'Dynamic Mode Chart' for mode descriptions.

Zone Control

Short press to control zones 1, 2, or 3.
Long press to turn individual zone ON/OFF.



DYNAMIC MODE CHART

Mode	Description
1	Full Color Fade #1
2	Reverse Rainbow Fade
3	Random Full Color Fade
4	7 Color Jump
5	RGB Fade In / Fade Out
6	RGB Fade In to Off
7	RGB On to Fade Out
8	RGB Jump
9	Full Color Fade #2
10	Pastel Color Fade In / Fade Out

SAFETY / WARNINGS / DISCLOSURES

1. Install in accordance with national and local electrical code regulations.
2. This product is intended to be installed and serviced by a qualified, licensed electrician.
3. DO NOT connect directly to high voltage power. Install with a compatible Class 2 constant voltage LED driver (power supply).
4. Only install compatible 12V and 24VDC constant voltage luminaires.
5. This product is rated for indoor installation and is not protected against moisture.
6. Do not modify product beyond instructions or warranty will be void.

ADDITIONAL RESOURCES

DMX WALL MOUNT CONTROLLER Installation Guide

WARRANTY

Limited Warranty

This product has a 3 year limited warranty from the date of shipment. This warranty does not include the additional accessories referenced in this specification sheet. Complete warranty details for fixtures and additional accessories are available at www.DiodeLED.com under the 'Tools & Resources' tab. For warranty related questions please contact product support.

Consumer's Acknowledgment

Diode LED stands behind its products when they are used properly and according to our specifications. By purchasing our products, the purchaser agrees and acknowledges that lighting design, configuration and installation is a complex process, wherein seemingly minor factors or changes in layout and infield adjustments can have a significant impact on an entire system. Choosing the correct components is essential. Diode LED is able to work with the original purchaser to make an appropriate product selection to the extent of the limited information that the customer can provide, but it is virtually impossible for Diode LED to design a system that foresees every unknown factor. For this reason, this Warranty does not cover problems caused by improper design, configuration or installation issues. Any statement from a Diode LED employee or agent regarding a customer's bill of goods and/or purchase order is NOT an acknowledgment that the products purchased are designed and configured correctly. The purchase agrees and acknowledges that it is the customer's responsibility to adhere strictly to all information contained in the Product Specification Sheets.

There is often more than one way to design, configure and layout an LED lighting application properly to achieve the same lighting effect. Diode LED strongly recommends that licensed professionals be used in the design and installation of lighting systems that include Diode LED products. The specifications include important information that a designer and installer should carefully review and strictly follow. Qualified designers and certified and/or licensed installers, with access to the final installation environment, customer goals, and Diode LED product specifications can make the requisite decisions appropriate for a successful finished lighting application.

